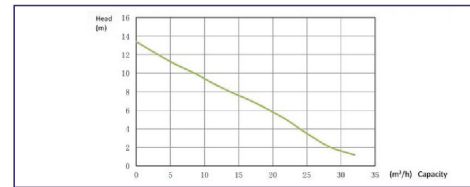
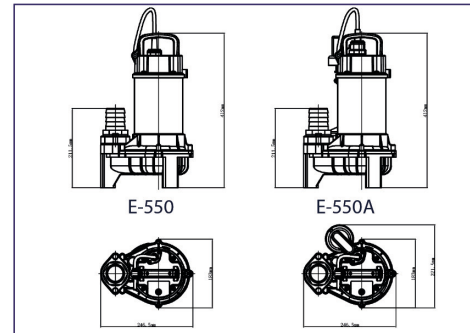




EcoBlu

Submersible Pump

E-550 series



Features

- Portable, save electricity and high-performance.
- Auto suction pump with cylindrical floater, easy to install in the confined spaces.
- Italy imported double-faced mechanical seal to ensure the pump seal performance.
- SUS-304 stainless steel for motor housing, motor shaft and screws.
- Current protector and thermal protector.

Application

- Suitable for clean water, salt water, factory sewage.
- Water supply and disposal, water circulation and water change for crop
- Equipment use for aquarium, landscape waterfall, water drainage and filtration.

Model	Code	Max Output (L/H)	Max Head (m)	Max Head (m)		Outlet Connection	Phase	Wire Length (m)
				HP	Watt			
E-550	P-7884	33,000	13.5	1.00	750	G 2"	1	5
E-550A	P-7885	33,000	13.5	1.00	750	G 2"	1	5